



# POS 2200 series

## Compact Powerhouse™

- Low-Power High-Performance Intel® Celeron® J1900 Quad-Core Processor
  - Sleek and Compact Body with Small Footprint
    - Bezel-Free True-Flat PCAP Touch
- 15" Display with LED Backlight Delivering Bright and Crisp Images
  - Multiple I/O Interfaces for Peripherals
- Flexible Installation on a Counter or a Wall
  - Faster Installation and Serviceability
- Modern and Contemporary Styling for Interior Décor
- Engineered and Optimized for Hospitality and Retail Businesses



## Features & Benefits



### New Look. New Design

- Sleek and Compact. Small Footprint
- Modern and Contemporary Styling



### Powerful Performer

- Intel® Celeron® J1900 Quad-Core Processor
- Low-Power High-Performance. Fanless Operation



### Superior Touch Display

- Bezel-Free True-Flat 15" LED LCD Display
- PCAP Touch Activated with Fingers and Gloves



### Install It Anywhere

- On a Counter or a Wall
- VESA Compatible (Option)



### Save Time and Cost

- Easy Access to I/O Interfaces
- Faster Installation and Serviceability



### Connect It to All

- Multiple I/O Interfaces
- 6 USB, 5 Serial. Optional Expansion Available

# Specifications

| General Specifications   |  | Model : J19 |
|--------------------------|--|-------------|
| <b>System</b>            |  |             |
| CPU                      | Intel® Celeron® J1900 (2.0 GHz) Quad-Core Processor / Fanless  |             |
| Chipset                  | ITE IT8786-I   |             |
| Storage                  | SATA 2 (3Gb/s) 2.5 inch SSD 64GB, Support AHCI   |             |
| Memory                   | 4GB Standard (Max. 8GB)<br>Type: DDR3L 1333 MT/s / Socket 1 x SODIMM   |             |
| Graphics Controller      | Integrated Intel HD Graphics   |             |
| Audio                    | Realtek ALC662-VD 5.1 CH Audio   |             |
| <b>LCD Display</b>       |  |             |
| Size / Type              | 15" TFT LED Backlight  |             |
| Resolution               | 1024 x 768   |             |
| Luminance                | 300 cd/m <sup>2</sup> (typ.)   |             |
| <b>Touch Screen</b>      |  |             |
| Type                     | Projective Capacitive Touch  |             |
| Controller Interface     | USB Interface  |             |
| <b>I/O Interface</b>     |  |             |
| Display Port             | 1 x VGA (With 12V power output)  |             |
| USB Port                 | 6 (Rear 2, Back 4 / USB 2.0 x 6 Ports), USB A type<br>1 (Rear 1, Reserved for MSR/SCR/I-Button), RJ-45   |             |
| Serial Port              | 5<br>(COM1 with 5V/12V power output on 9pins)<br>(COM2~3 RJ-45 , Full Signal)<br>(COM4 RJ-11, Only TX/RX, 12V power output, Reserved for CDP)<br>(COM6 RJ-45, Only TX/RX, 5V power output, Reserved for MSR) |             |
| Ethernet Port            | RJ-45  |             |
| Audio                    | Line-out   |             |
| Power DC-IN              | 1 (4pins connector)  |             |
| <b>Power Requirement</b> |  |             |
| Adapter Input            | Adaptor 12V, 5A  |             |

|                                       |   |
|---------------------------------------|---|
| <b>OS Support</b>                     |   |
| OS                                    | Windows 7, Windows 8.1, POS Ready 7, Windows 10 |
| <b>Mechanical &amp; Environmental</b> |   |
| Operating Temperature                 | 0°C ~ 60°C at 10% ~ 90% humidity                |
| Storage Temperature                   | -20°C ~ 80°C at 10% ~ 90% humidity              |
| Color                                 | Dark Grey, White                                |
| Dimensions (W x H x D)                | 364 x 333 x 210 (mm)                            |
| Net Weight                            | 5,300g  |
| Packing Dimension (W x H x D)         | 500 x 470 x 300 (mm)                            |
| Packing Weight                        | 8,000g  |
| Certification                         | CE, FCC, KC, CB, CCC                            |

| Optional Configuration  |  |
|-------------------------|--|
| Storage                 | 2.5 inch SSD 128GB<br>2.5 inch HDD 500GB<br>2.5 inch HDD 1TB   |
| I/O Expansion           | 1 x COM5 (RJ-45 8pins) (Factory Option)<br>1 x Cash Drawer Port (RJ-11 6pins) (Factory Option)   |
| Customer Display (CDP)  | VFD (20 columns x 2 lines)<br>9.7" 2nd LCD (1024 x 768 resolution)<br>12.1" 2nd LCD (1024 x 768 Resolution)<br>15" 2nd LCD (1024 x 768 Resolution) |
| Magnetic Stripe Reader  | MSR : Comply with ISO 7811, Support 1 & 2 & 3 track  |
| Smart Card Reader       | SCR : EMV level 1, 2   |
| Dallas                  | Dallas I-button Reader   |
| Camera                  | 5M USB Interface (Internal) (Factory Option)   |
| Wall Mount Kit          | VESA-Compatible (75 x 75mm , 100 x 100mm)  |
| Serial Conversion Cable | RJ-45 to D-sub 9   |

\*Other mounting options available upon request. \*Specifications may change without prior notice.

## Peripheral Options



- Customer Display**
- VFD (2 Lines x 20 Characters)

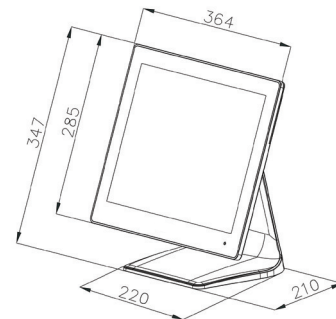


- 2nd Display**
- 9.7", 12.1", 15" LCD



- Multi-Reader**
- MSR, SCR

## Dimension View



**axon**

Via Piersanti Mattarella, 32  
30030 Gardigiano di Scorze' (VE) Italy  
Tel : +39-041-583-0594  
Fax : +39-041-583-0595  
e-mail : info@axoncomputer.it  
www.axoncomputer.it